


Part number
MKA V20



Brief description:

hoods for single lever, size "21.21", top entry, M20, metal version, IP44, IP66/IP67 degree of protection with CKR 65 kit or CKR 65 D kit.

Product description		Approvals / Standards	
Version	Metallic type	Quality mark	UL type: 12, (type 4/4X only with kit CKR 65 or CKR 65 D),  , EAC
Series	Hoods with 2 pegs	Conformity	CQC, CE
Product type	with 2 pegs	General ordering information	
Variant	top entry	EAN13 code	8015747056748
Family	CKA metal enclosures	Tariff number	85369095
Size	size "21.21"	Packaging Information	
Technical data		Packaging length	370,00 mm
Operating temperature range (min, max)	-40°C ... +125°C	Packaging height	135,00 mm
Material	metal	Packaging width	225,00 mm
IP degree of protection	IP44 (IP66/IP67 with CKR 65/CKR 65 D kits)	Packaging weight	6,60 kg
Cable entry	M20	Packaging volume	11,24 dm ³
Further technical details		Packaging description	Carton box
Weight	66,00 g	Packaging quantity	100 Pcs
		Packaging EAN code	8015747056755
		Sub-packaging length	105,00 mm
		Sub-packaging height	70,00 mm
		Sub-packaging width	110,00 mm
		Sub-packaging weight	0,66 kg
		Sub-packaging volume	0,81 dm ³
		Sub-packaging description	Carton Box
		Sub-packaging quantity	10 Pcs
		Sub-packaging EAN barcode	8015747056762

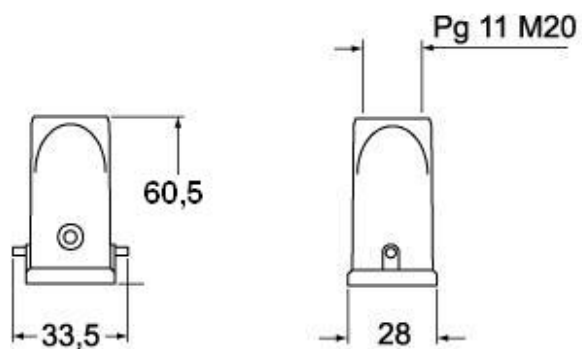
Part number

MKA V20

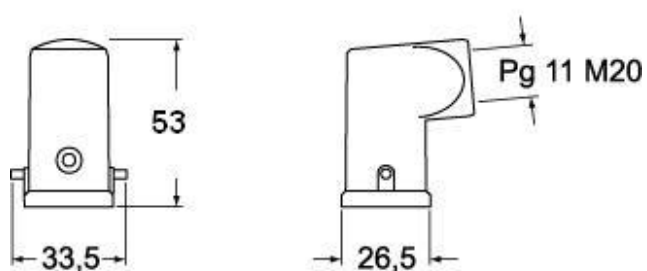


Catalogue drawings

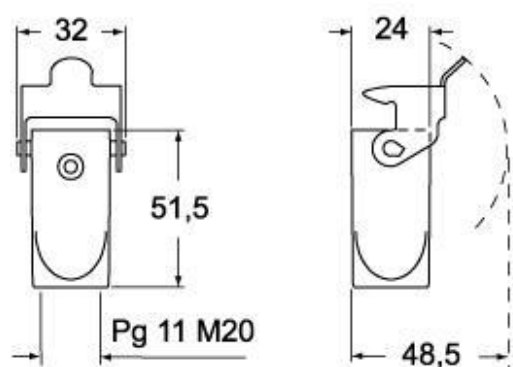
CKA VS - MKA V



CKA VAS - MKA VA



CKA VAS - MKA VA



CKAX VGS - MKAX VG

